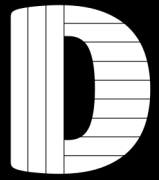


Rustic Sleeper Bench

Fitting Guide



Component List

1 x Bench Top

(A)

2 x Legs

(B)

4 x 150mm Sleeper Screws

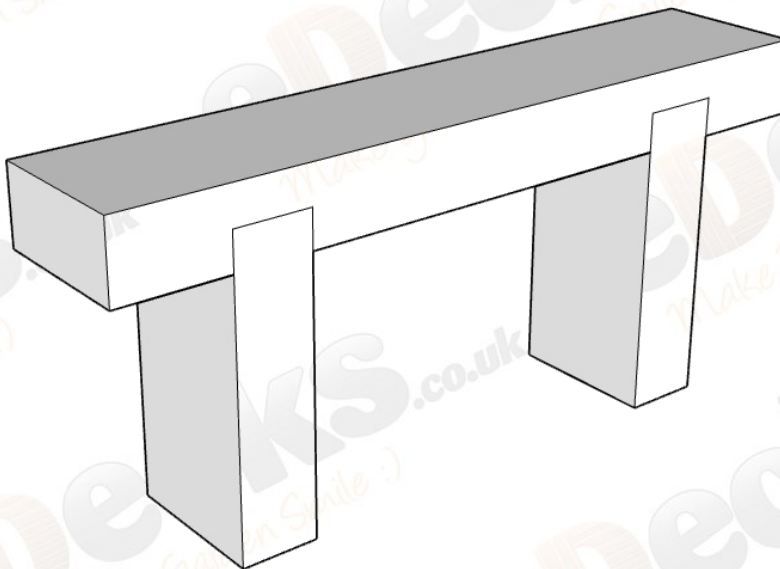
(FIX 1)

Recommended Tools

Drill Driver

Driver Bit

Pilot Hole Drill Bit

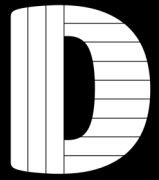


All images are for illustration only. Please see individual item listings for actual item specifications.

Page 1 of 3

Rustic Sleeper Bench

Fitting Guide

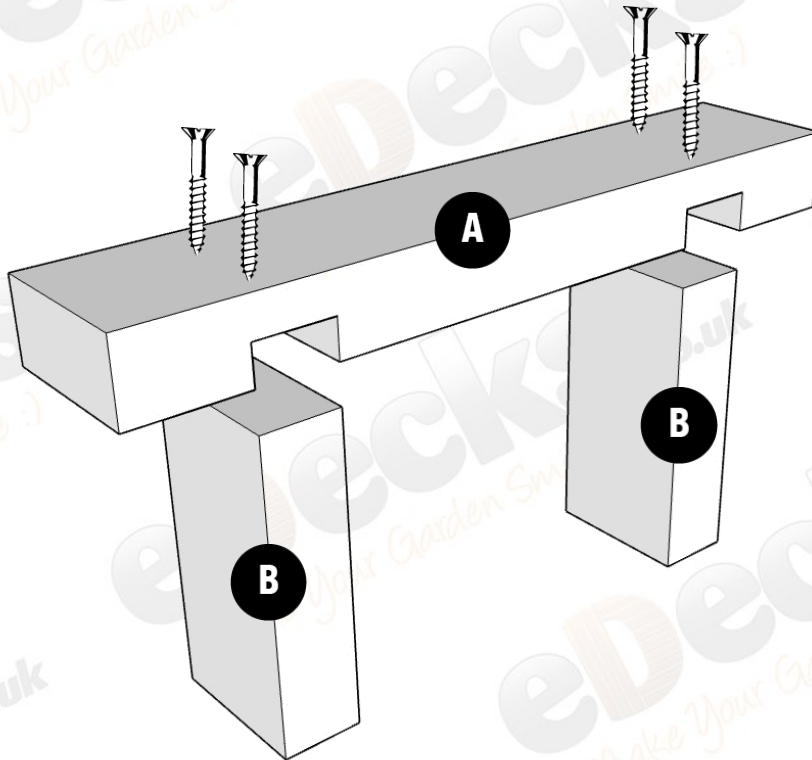


Step 1

To prevent splits, drill a pilot hole before driving screws

Insert the 2 x Bench Legs (B) into the pre cut grooves on the underside of the Bench Top (A), ensuring they fit flush at the front and back.

Secure the legs using 2 x 150mm Sleeper Screws (FIX 1) per leg.

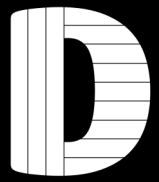


All images are for illustration only. Please see individual item listings for actual item specifications.

Page 2 of 3

Rustic Sleeper Bench

Fitting Guide



Enjoy your new Rustic Sleeper Bench!

All images are for illustration only. Please see individual item listings for actual item specifications.

Page 3 of 3